



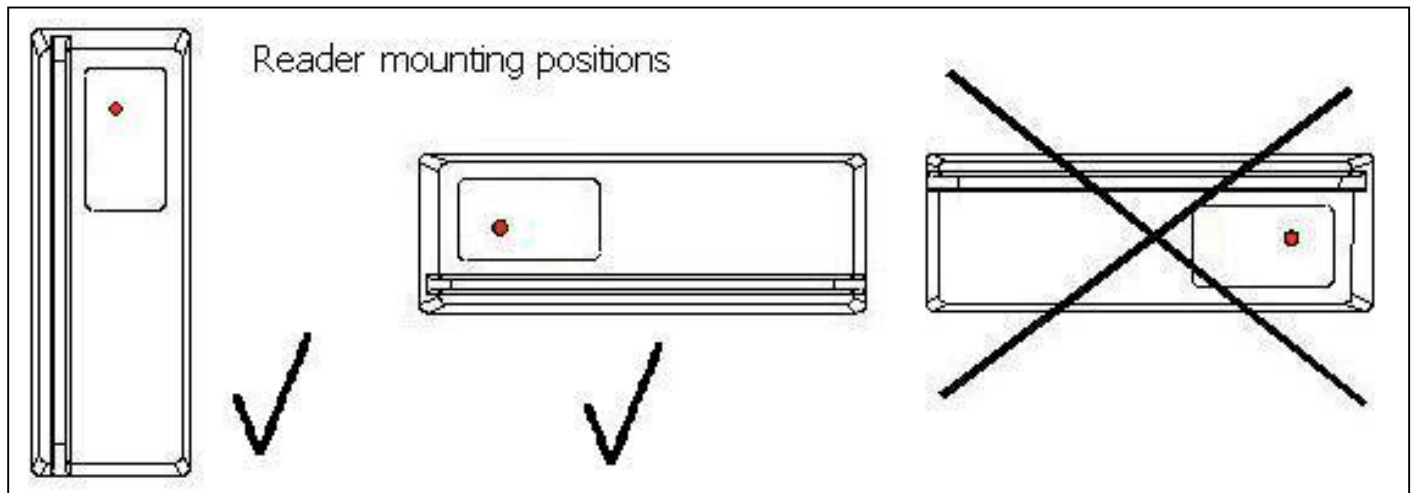
- Track 2 Standard Magnetic Cards
- Maximum distance to controller : 50 Metres
- Type of cable :6 core Shielded wire 22/24 AWG
- Jumper 4 setting: Switches 6,7 & 8 set to 'OFF'
- Connect shield to **TRUE EARTH** only **NOT 0V**

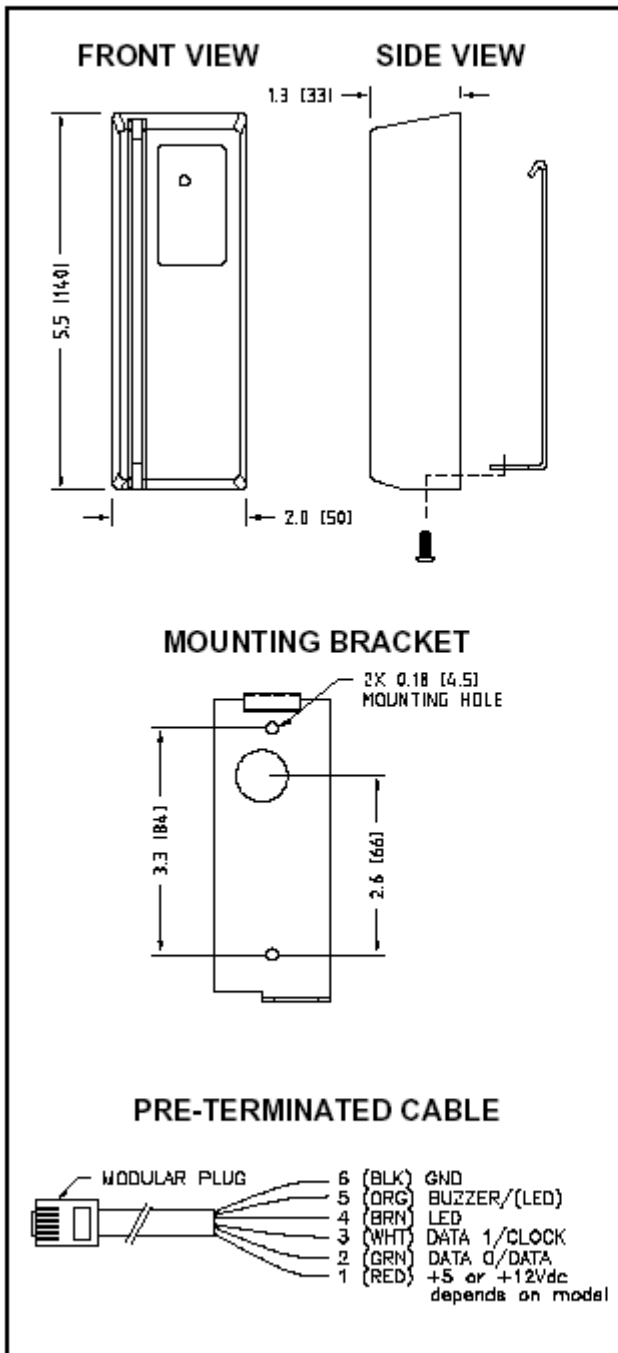
Available in Black or Ivory

### MACS 5RM MAGNETIC SWIPE READER CONNECTIONS TO DDS CONTROLLERS

CARD READER WIRE	READER No. 1 - J1	READER No. 2 – J2
Black	0v	0v
Red	Vcc - 5vdc	Vcc – 5vdc
White	Clk 1	Clk 2
Green	Dat 1	Dat 2
Orange	LED 1 ( Connect with Brown wire ) i.e connect together !	LED 4 ( Connect with Brown wire )
Brown	LED 1 ( Connect with Orange wire ) i.e connect together !	LED 4 ( Connect with Orange wire )

RESISTOR	READER 1 – J1	READER 2 – J2
Install 4.7 k resistor	Between Vcc and LED 1	Between Vcc and LED 4





### CARD

Encoding: 75 BPI, Aiken Biphase (2F2)  
 Read Speed: 3 to 50 inches per second

### MECHANICAL

Case: Aluminium alloy  
 Finish: textured powder coat  
 Size: 1.95"W x 1.30"H x 5.50"L  
 [50mm x 33mm x 140mm]  
 Weight: 10 oz [285g], nominal  
 Mounting: One security screw  
 Connection: 6 conductor cable w. connector

### ELECTRICAL

Voltage: +5 Vdc or +12 Vdc  
 Current: 20 milliamperes typical  
 Data Output: data 1/data 0 (Wiegand pulses),  
 or clock and data (Magnetic)

### ANNUNCIATORS

One bi-color LED: red/green  
 Buzzer

### ENVIRONMENTAL

Operating Temperature: -40°C to +75°C  
 Humidity: 100%



**MULTILINK ACCESS CONTROL SYSTEMS LTD**  
**71 HAMPERMILL LANE**  
**OXHEY HALL, WATFORD, HERTFORDSHIRE WD19 4NT**  
**UNITED KINGDOM.**

Tel. 0044 (0)1923 224900  
 Fax. 0044 (0)1923 224970  
 Email: [info@multilinksecurity.co.uk](mailto:info@multilinksecurity.co.uk)