



MR5 Magnetic Swipe Reader

MR5 Magnet Swipe Reader Features

The MR-5 is built to provide years of reliable service in the most demanding access control applications by incorporating a high-quality card reader in a tough die cast metal housing. The MR-5 connects to all DDS access control systems which accept clock/data.



CARD READER

The reader accepts low or high-coercivity magnetic stripe cards with standard track 2 encoding. Track 1 and track 3 versions are also available to special order only.

INDICATION

A red/green bi-color LED and a beeper are standard.

PANEL INTERFACE

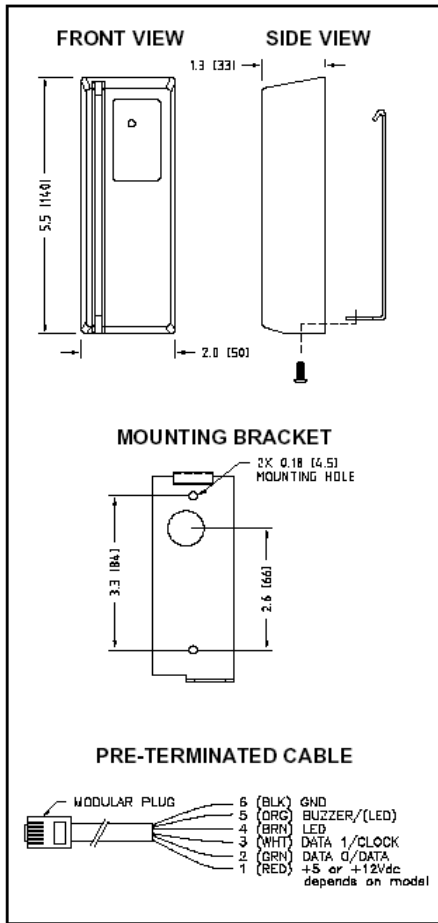
Card data is sent using common clock/data pulses. The LED and the buzzer are controlled using standard TTL voltage levels. All signal lines are protected from Electrostatic Discharge (ESD).

HOUSING

The die cast metal housing is first treated with an anti-corrosion film and then coated with a tough, abrasion resistant finish. The reader is mounted with all stainless steel hardware.

ENVIRONMENTAL

MR-5 is rated for operation from -40 °C to +75 °C and is suitable for both indoor and for outdoor use.



CARD

Encoding: 75 BPI, Aiken Biphase (2F2)
Read Speed: 3 to 50 inches per second

MECHANICAL

Case: Aluminium alloy
Finish: textured powder coat
Size: 1.95"W x 1.30"H x 5.50"L
[50mm x 33mm x 140mm]
Weight: 10 oz [285g], nominal
Mounting: One security screw
Connection: 6 conductor cable w. connector

ELECTRICAL

Voltage: +5 Vdc or +12 Vdc
Current: 20 milliamperes typical
Data Output: data 1/data 0 (Wiegand pulses),
or clock and data (Magnetic)

ANNUNCIATORS

One bi-color LED: red/green
Buzzer

ENVIRONMENTAL

Operating Temperature: -40°C to +75°C
Humidity: 100%



Specifications

- ◆ LED function externally controlled
- ◆ Output Formats, Clock & Data
- ◆ Termination RJ45 removable connector
- ◆ Supplied termination cable approx. 30cm

Applications

The MR5 is suitable for:

- ◆ All DDS Two Door Controllers
- ◆ All DDS Four Door Controllers
- ◆ Access Control applications

For more information please contact:

Multilink Access Control Systems Ltd

71 Hampermill Lane, Oxhey Hall, Watford, Hertfordshire.WD19 4NT.
United Kingdom

Telephone: 0044 (0)1923 224900 Facsimile: 0044 (0)1923 224970
Mobile: 0044 (0)7831 490499 Email: info@multilinksecurity.co.uk