



ACCESS CONTROL & BUILDING MANAGEMENT SYSTEMS

Multilink Access Control Systems Ltd
 71 Hampermill Lane, Oxhey Hall,
 Watford, Hertfordshire.WD19 4NT
 United Kingdom

Telephone: 0044 (0)1923 224900
 Facsimile: 0044 (0)1923 224970
 Mobile: 0044 (0)7831 490499
 Email: info@multilinksecurity.co.uk

HOW TO CONNECT HID/HUGHES PROXIMITY READERS TO Rev B type TOPLOCK CONTROLLERS

(This applies to all Hughes / HID model readers - Wiegand cards 26 to 56 bit)

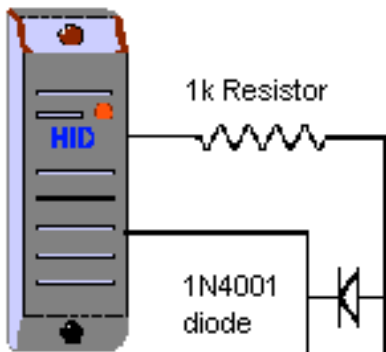
Maximum distance to controller : 100 Metres

Type of cable : 8 core shielded wire 22 AWG.

Connect shield to GROUND only, do not connect to 0v

Jumper 4 setting: Switch 7 set to 'ON'

Installing Diode and resistor Connect at controller end only.



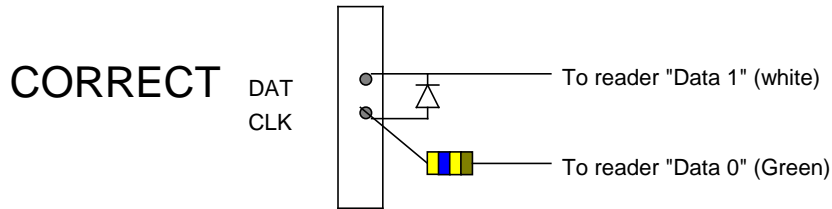
Wiring configuration for a proximity reader

Card reader wire	Reader no:1 - J1	Reader no.2 - J2
Data 1 (White)	DAT1 (see below)	DAT2 (see below)
Data 0 (Green)	CLK1 (see below)	CLK2 (see below)
DC + (Red)	+12 PSU direct	+12 PSU direct
GND (Black)	0v at PSU	0v at PSU
Green LED (Orange)	LED1	LED4
Red LED (Brown)	LED2	LED5
Beeper (Yellow)	Buzz1	Buzz2
Hold and Return - NOT USED		

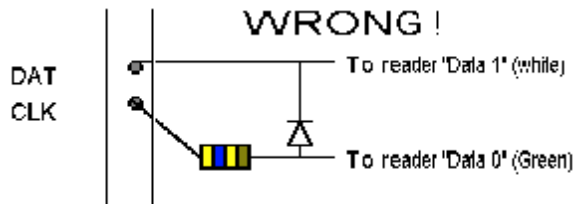
Note: The screen of the reader cable should be connected to earth ground at the controller end only. Note that GND on the reader is 0v and NOT earth. Do not connect earth screen to 0v and earth

Continued Over/

A diode must be fitted between Clk & Dat and a 1k resistor in series with Data 0 and CLK 1 or 2 must be fitted to each reader. See below



Fit a 1N4001 diode across CLK and DAT. Connect a 1k resistor in series with Data 0/CLK 1 (or Clk 2 if 2nd reader .





ACCESS CONTROL & BUILDING MANAGEMENT SYSTEMS

Multilink Access Control Systems Ltd
 71 Hampermill Lane, Oxhey Hall,
 Watford, Hertfordshire.WD19 4NT
 United Kingdom

Telephone: 0044 (0)1923 224900
 Facsimile: 0044 (0)1923 224970
 Mobile: 0044 (0)7831 490499
 Email: info@multilinksecurity.co.uk

HOW TO CONNECT HID/HUGHES PROXIMITY READERS TO Rev B type TOPLOCK CONTROLLERS

(This applies to all Hughes / HID model readers - Wiegand cards 26 to 56 bit)

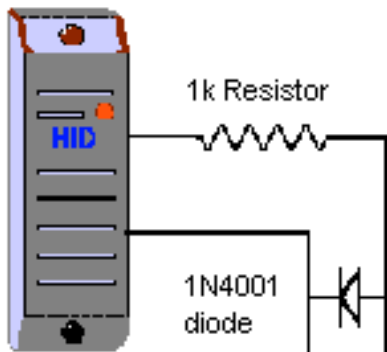
Maximum distance to controller : 100 Metres

Type of cable : 8 core shielded wire 22 AWG.

Connect shield to GROUND only, do not connect to 0v

Jumper 4 setting: Switch 7 set to 'ON'

Installing Diode and resistor Connect at controller end only.



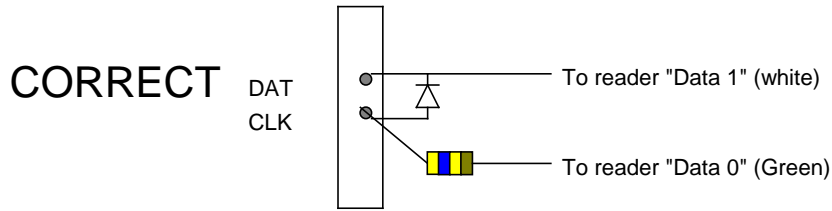
Wiring configuration for a proximity reader

Card reader wire	Reader no:1 - J1	Reader no.2 - J2
Data 1 (White)	DAT1 (see below)	DAT2 (see below)
Data 0 (Green)	CLK1 (see below)	CLK2 (see below)
DC + (Red)	+12 PSU direct	+12 PSU direct
GND (Black)	0v at PSU	0v at PSU
Green LED (Orange)	LED1	LED4
Red LED (Brown)	LED2	LED5
Beeper (Yellow)	Buzz1	Buzz2
Hold and Return - NOT USED		

Note: The screen of the reader cable should be connected to earth ground at the controller end only. Note that GND on the reader is 0v and NOT earth. Do not connect earth screen to 0v and earth

Continued Over/

A diode must be fitted between Clk & Dat and a 1k resistor in series with Data 0 and CLK 1 or 2 must be fitted to each reader. See below



Fit a 1N4001 diode across CLK and DAT. Connect a 1k resistor in series with Data 0/CLK 1 (or Clk 2 if 2nd reader .

